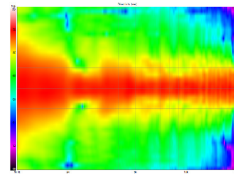
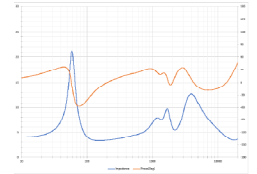


Horizontal Directivity



Vertical Directivity



Impedance

MODEL S7c



TECHNICAL SPECIFICATIONS



Sharing the same driver compliment as our flagship S7T, this speaker makes the perfect choice for where the highest performance theater is desired. Featuring our proprietary DPC-Array controlling Mid/High frequencies, centered by our finest 28mm Beryllium dome and dual 28mm TPCD ultra-lightweight domes. This array delivers amazing accuracy, smoothness and directivity control to handle the critical vocal range and delicate treble. All S-Series speakers share the same DPC-Array and benefit from our unique timbre matching technique across the entire product line. Custom bass drivers made from TPCD deliver unparalleled dynamic range and musical finesse. The Perlisten S-Series speakers also have the distinguished honor to be the world's first and only loudspeakers to be certified for THX Dominus - their highest. rating.

BASIC

Dimensions (HxWxD)
960 x 240 x 300mm
37.8 x 9.5 x 15.7"

Weight
33.5 kg (74 lbs.)

Available finishes
Piano black, Gloss white
Custom finishes available

TECHNICAL

Enclosure Alignment
4-way acoustic suspension

Driver complement
DCP-Array: 28mm Beryllium
28mm(2) Textreme TPCD
Woofers: 180mm(4) Textreme TPCD

Sensitivity (2pi)
92dB / 2.83v / 1.0m

Impedance
4Ω nominal / 3.2Ω min

Frequency Response (+/-1.5dB)
80 - 20kHz

Frequency Response (-10dB)
38 - 37kHz

Typical In Room bass extension
32Hz

Recommended Amplifier Power
100 - 600W RMS

SPL Capability (100-20kHz)
117dB peak <2% - 2nd, 3rd Harmonics

Certification
THX Dominus - LCR

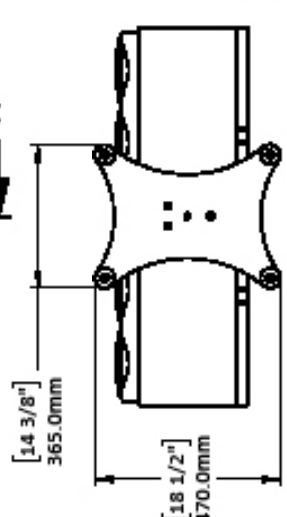
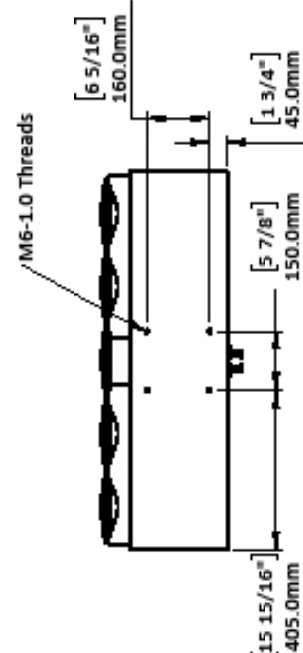
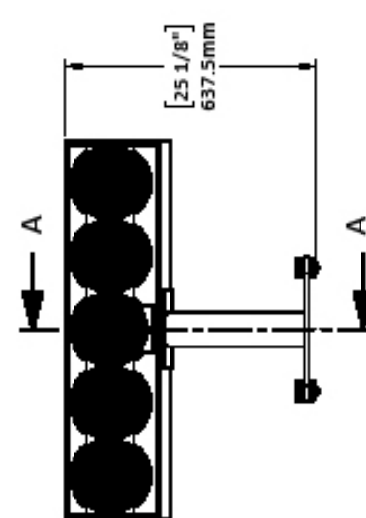
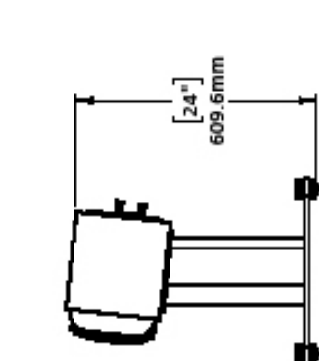
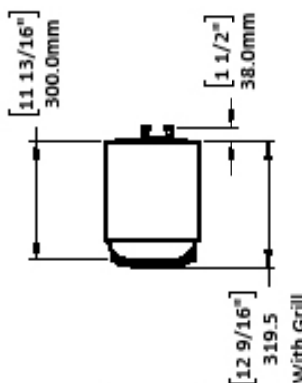
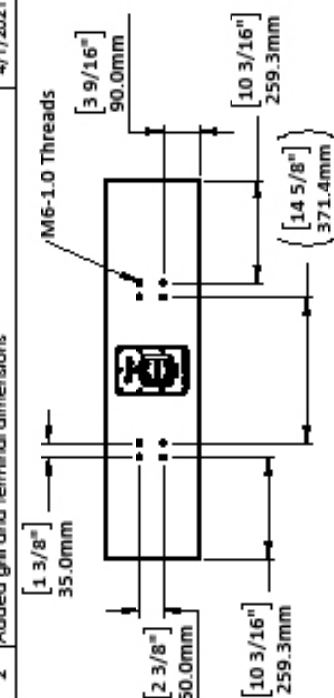


DPC Array
Directivity pattern control
*USA Patent pending



TPCD
Thin Ply Carbon Diaphragms

REVISIONS		DATE
REV.	DESCRIPTION	DATE
1	Initial Release	3/30/2021
2	Added grill and terminal dimensions	4/1/2021



NAME	DATE	
TITLE		SEE DWG. NO. A PERLISTEN-S7c_Architectural
Sheet		
REV		SCALE: 1:16 SHEET 1 OF 1

PROPRIETARY AND CONFIDENTIAL
 THE INFORMATION CONTAINED IN THIS DRAWING IS THE SOLE PROPERTY OF PERLISTEN AMMO, LLC. ANY REPRODUCTION OR TRANSMISSION OF THIS DRAWING WITHOUT THE WRITTEN PERMISSION OF PERLISTEN AMMO, LLC IS PROHIBITED.